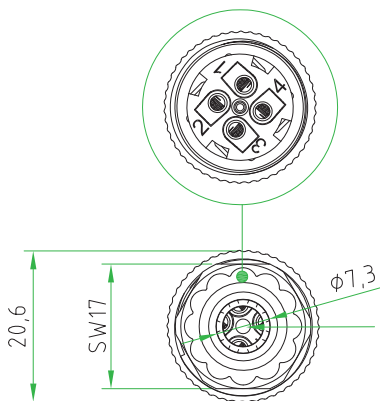


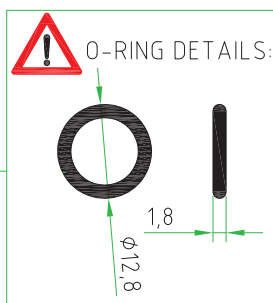
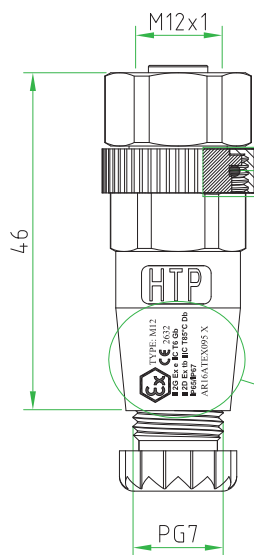
Rev.	Modify	Date	Signed	Approved

Rev.	Modify	Date	Signed	Approved

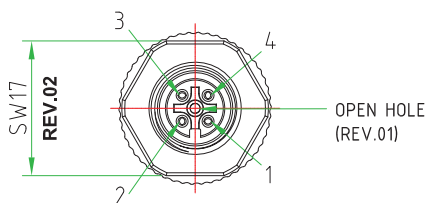
Rev.	Modify	Date	Signed	Approved
01	-	2019.05.27	CIMMINO	SUGLIANI
02	-	2019.09.10	SUGLIANI	CIMMINO



**!**  
ON THE INTERNAL CORE  
MUST BE SILK PRINTED  
THE CONTACTS NUMBERS



**Ex** TYPE: M12  
CE 2632  
II 2G Ex e IIC T6 Gb  
II 2D Ex tb IIC T85°C Db  
IP65/IP67  
AR16ATEX095 X

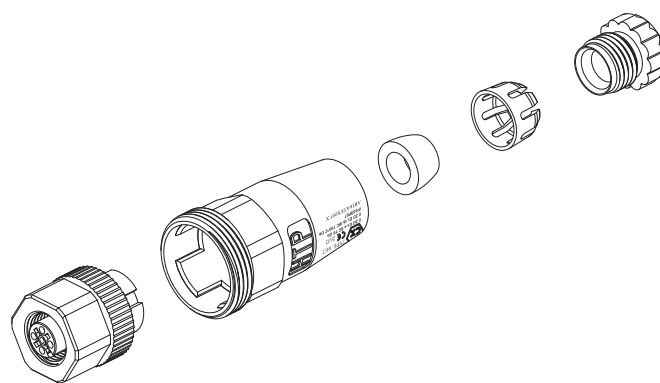


PRODUCT TYPE	M12 CIRCULAR CONNECTOR FIELD ATTACHABLE. MAIN REFERENCE NORM ATEX2014/34/EU <b>Ex</b>
CONNECTOR TYPE	STRAIGHT 180°
HOUSING MATERIAL/COLOUR	PA66 3004G-30 (30%GF)/BLACK
PRESS-CABLE MATERIAL/COLOUR	PA66 CM3004/BLACK
INTERNAL CORE MATERIAL/COLOUR	PA66 CM3004/BLACK
M12 SW17 EXAGONAL COUPLING NUT MATERIAL <b>REV.02</b>	BRASS + NICKEL PLATED
CONTACTS TYPE	FEMALE SCREW CONTACTS
NUMBER OF POLES	4POLES (5HOLES <u>REV.01</u> )
CABLE EXIT	PG7
SUITABLE CABLE	FROM ø3,5mm TO ø6mm
MAX.CONDUCTOR SIZE	0,75mm <sup>2</sup> (AWG18)
PROTECTION CLASS	IP65/67
RATED VOLTAGE	250V AC/DC
RATED CURRENT	4A
CONNECTOR TEMPERATURE RANGE	from -40°C to +85°C
CONNECTOR WITH H.T.P. LOGO	
<b>!</b>	PACKAGING: SINGLY PACKED IN PLASTIC BAG. ON EACH PLASTIC BAG MUST BE APPLIED THE ATEX LABEL. IN EACH PLASTIC BAG MUST BE INSERTED THE OPERATING INSTRUCTION SHEET.

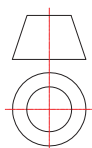
CUSTOMER APPROVAL

SIGNATURE	DATE

PLEASE SIGN  
AND RETURN



A4



Designer	CIMMINO L.	Date	2019-01-18	Tolerance	±0.3	Units:	mm	Series	M12	Drawing n.	1-2
Approved	SUGLIANI R.	Date	2019-01-18	Scale	1:1	Size:	A4	Customer code:			

DESCRIPTION	H.T.P.PART NUMBER
CIRCULAR CONNECTOR M12 FIELD ATTACHABLE MAIN REFERENCE NORM ATEX2014/34/EU,FEMALE,STRAIGHT 180°,4POLES(5HOLES), EXIT CABLE FROM ø3,5mm TO ø6mm. CONNECTOR WITH H.T.P.LOGO	12FC4000-ATEX