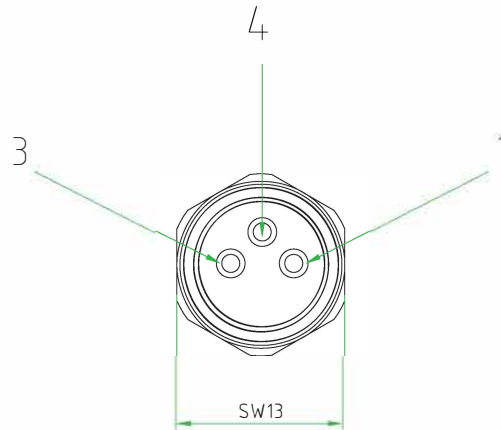
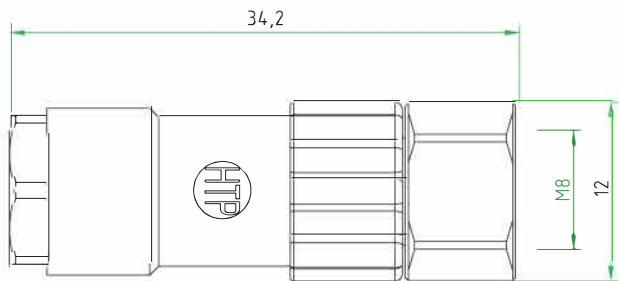
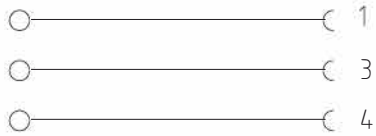
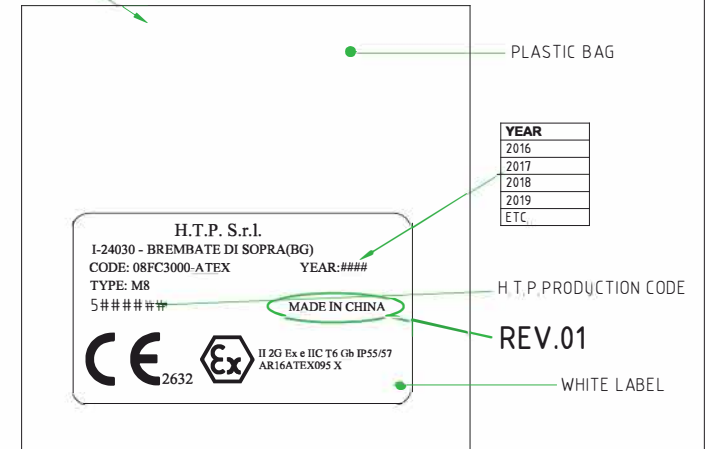


DATE	REV.	DESCRIPTION	NAME
07.08.2018	01	On the ATEX label and on the operating instructions must be added MADE IN CHINA	ROBERTO SUGLIANI



CONNECTOR FEATURES	
PRODUCT TYPE	M8 FIELD ATTACHABLE
CONTACT TYPE	SOLDER FEMALE
NUMBER OF CONTACTS	3POLES
HOUSING MATERIAL	PA66 -CM3004 V0
HOUSING TYPE	180°
HOUSING COLOUR	BLACK
RATED VOLTAGE	50 V AC / 60V DC
RATED CURRENT	3A
COUPLING NUT MATERIAL	Brass+nickel plated (CuZnNi)
O"RING	NBR
CONNECTOR WITH H.T.P.LOGO	
THIS CODE IS SPECIAL BECAUSE IS THE ATEX CONNECTORS MAIN REFERENCE NORM:ATEX 2014/34/EU MATERIAL PA66 - CM3004 V0 (Material V0 UL/CSA), FOR ALL COMPONENT OF THE CONNECTOR	

PACKAGING:
SINGLY PACKED IN THE PLASTIC BAG
IN THE PLASTIC BAG MUST BE INSERTED THE
NEW OPERATING INSTRUCTION FOR CIRCULAR CONNECTORS.



TOLLERANZE	±0.2	DISEGNATORE	ROBERTO SUGLIANI	DATA	23.04.2018	SCALA	2:1	DISEGNO N	1/2	
U.d.M	ANGOLO	CONTROLLATO								
DESCRIZIONE M8 FEMALE STRAIGHT 180°:3 POLES, WITH H.T.P.LOGO, BLACK HOUSING, FIELD ATTACHABLE, WITH TO SOLDER CONTACTS CONNECTOR MAIN REFERENCE NORM:ATEX 2014/34/EU							TIPO	M8	MATERIALE	
							HIGH TECH PRODUCTS		CODICE 08FC3000-ATEX	