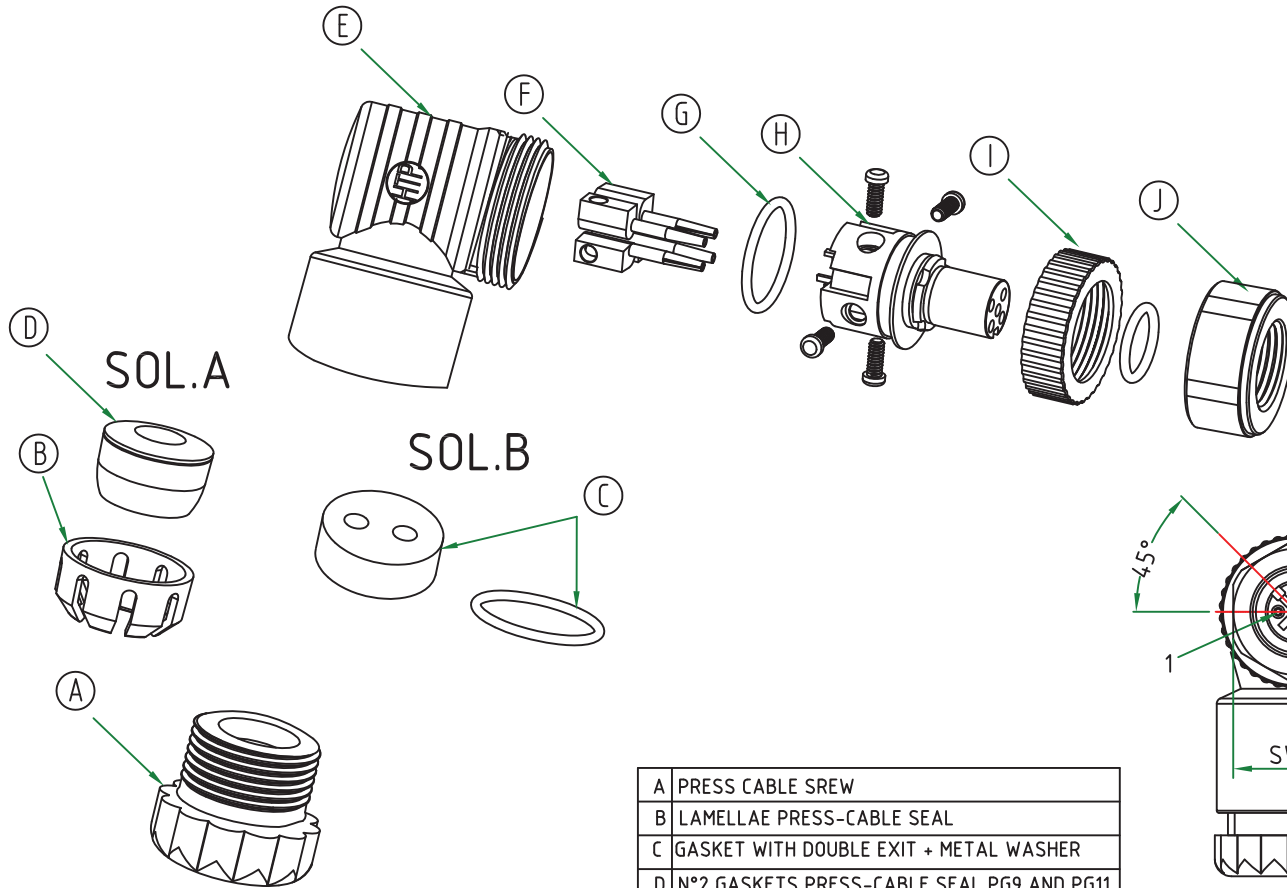


- ————— C 1
- ————— C 2
- ————— C 3
- ————— C 4



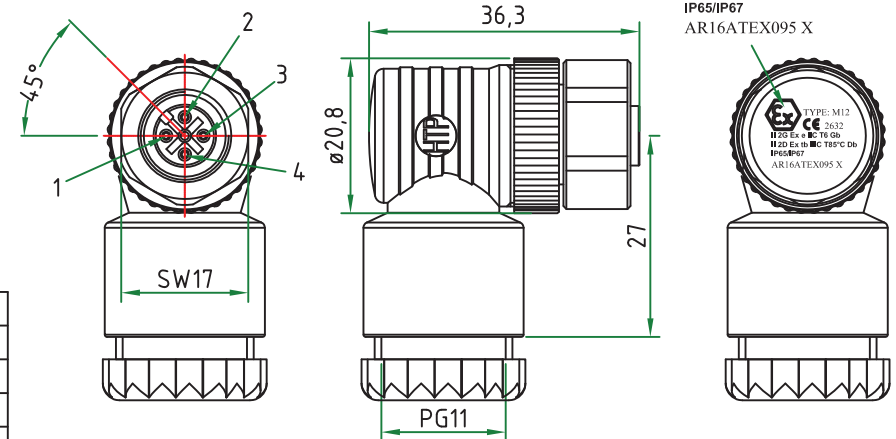
A	PRESS CABLE SREW
B	LAMELLAE PRESS-CABLE SEAL
C	GASKET WITH DOUBLE EXIT + METAL WASHER
D	N°2 GASKETS PRESS-CABLE SEAL PG9 AND PG11
E	HOUSING BLACK
F	SCREW CONTACT GOLD PLATED
G	O-RING
H	INTERNAL CORE M12
I	PLASTIC NUT FOR HOUSING
J	M12 NUT Brass Nickel plated

CONNECTOR FEATURES	PRODUCT TYPE	M12 A-CODED FIELD ATTACHABLE
	CONTACT TYPE	FEMALE
	NUMBER OF CONTACTS	4POLES
	HOUSING TYPE	90°
	EXIT CABLE	PG11
	RATED VOLTAGE	250V AC/DC
	RATED CURRENT	4A
	COUPLING NUT MATERIAL	Brass+nickel plated (CuZnNi)
	HOUSING MATERIAL	PA66 - CM3004 V0
	INTERNAL CORE MATERIAL	PA66 - CM3004 V0
	O-RING	NBR
	PROTECTION CLASS	IP65/IP67
	CONNECTOR WITH H.T.P.LOGO	



THIS CODE IS SPECIAL BECAUSE IS THE ATEX CONNECTORS MAIN REFERENCE NORM:ATEX2014/34/EU MATERIAL PA66 - CM3004 V0 (Material:V0), FOR ALL THE CONNECTOR PLASTIC COMPONENTS.

Ex TYPE: M12
CE 2632
 II 2G Ex e IIC T6 Gb
 II 2D Ex tb IIIC T85°C Db
 IP65/IP67
 AR16ATEX095 X



TOLLERANZE	±0.2	DISEGNATORE LORENZO CIMMINO	DATA	2018.10.03	SCALA	1:1	DISSEGNO N.	1/2
U.d.M	ANGOLO	CONTROLLATO ROBERTO SUGLIANI						
DESCRIZIONE	M12 FEMALE ANGLED 90°, 4POLES, PG11, FIELD ATTACHABLE. CONNECTOR MAIN REFERENCE NORM ATEX2014/34/EU				TIPO	M12		MATERIALE
H.T.P. HIGH TECH PRODUCTS					CODICE		12FU4000-ATEX	