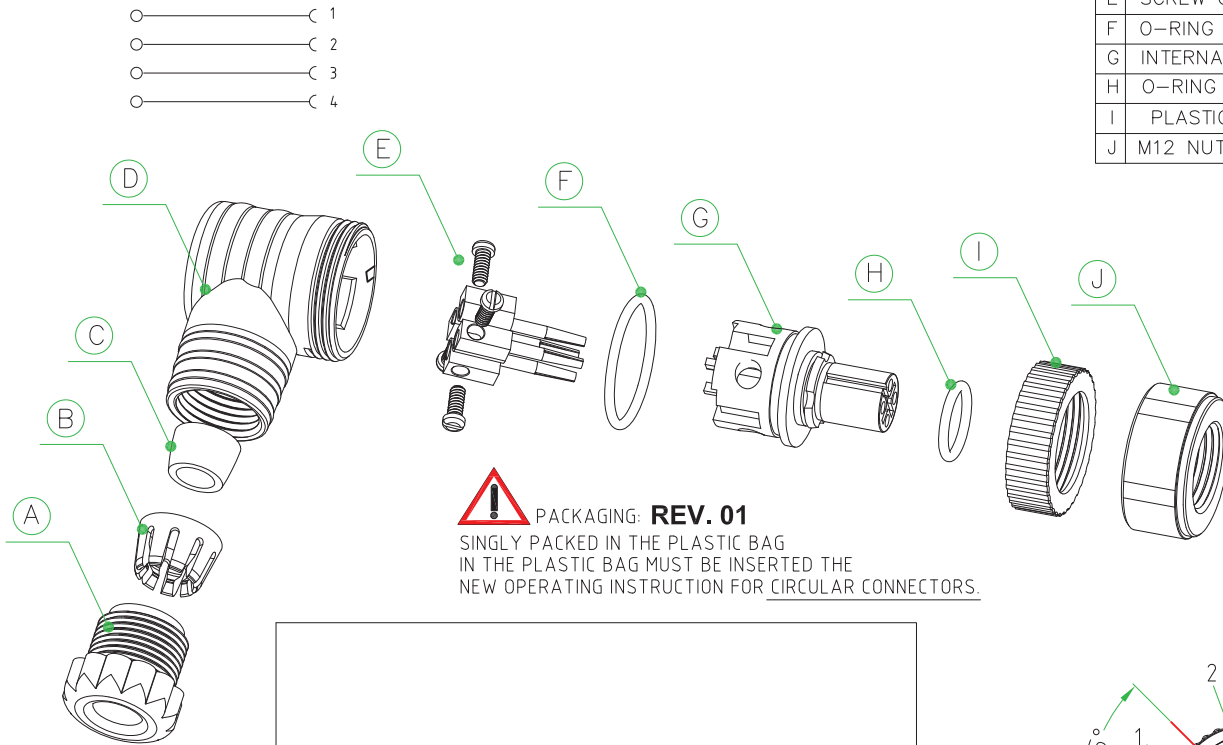


DATE	REV.	DESCRIPTION	NAME
02.03.2017	01	On the connector housing must be changed the silk print and the ATEX logo. On the label of the plastic bag must be changed the silk print and the ATEX logo. See the drawing	ROBERTO SUGLIANI
07.08.2018	02	On the ATEX label and on the operating instructions must be added MADE IN CHINA.	ROBERTO SUGLIANI

A	PRESS CABLE SREW
B	LAMELLAE PRESS-CABLE SEAL
C	GAKET PRESS-CABLE SEAL
D	HOUSING BLACK
E	SCREW CONTACT GOLD PLATED
F	O-RING
G	INTERNAL CORE M12 A-CODED
H	O-RING
I	PLASTIC NUT FOR HOUSING
J	M12 NUT Brass+nickel plated (CuZnNi)

CONNECTOR FEATURES	
PRODUCT TYPE	M12 A-CODED FIELD ATTACHABLE
CONTACT TYPE	FEMALE
NUMBER OF CONTACTS	4POLES
HOUSING TYPE	90°
EXIT CABLE	PG7
RATED VOLTAGE	250V AC/DC
RATED CURRENT	4A
COUPLING NUT MATERIAL	Brass+nickel plated (CuZnNi)
HOUSING MATERIAL	PA66 - CM3004 V0
INTERNAL CORE MATERIAL	PA66 - CM3004 V0
O-RING	NBR
PROTECTION CLASS	IP65/IP67
CONNECTOR WITH H.T.P.LOGO	



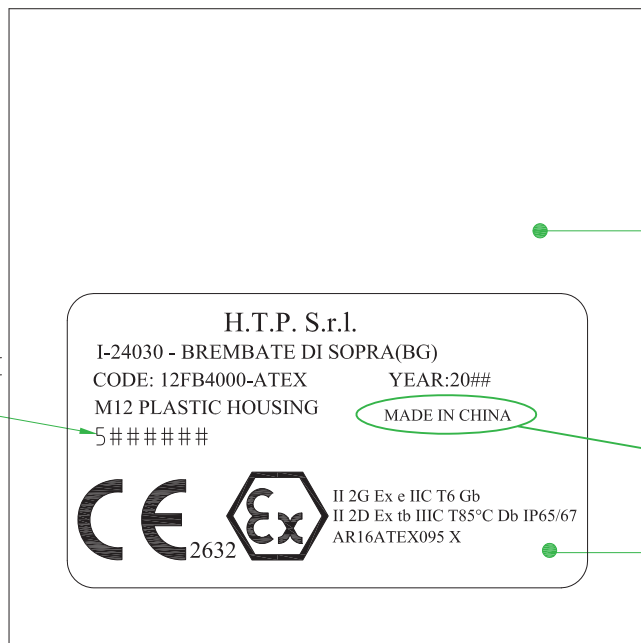
⚠ PACKAGING: **REV. 01**
SINGLY PACKED IN THE PLASTIC BAG
IN THE PLASTIC BAG MUST BE INSERTED THE
NEW OPERATING INSTRUCTION FOR CIRCULAR CONNECTORS.

⚠ THIS CODE IS SPECIAL BECAUSE IS THE ATEX
CONNECTORS MAIN REFERENCE NORM:ATEX2014/34/EU
MATERIAL PA66 - CM3004 V0 (Material:V0 UL/CSA), FOR
ALL COMPONENT OF THE CONNECTOR

PAY ATTENTION: REV. 01

Ex TYPE: M12
CE 2632
II 2G Ex e IIC T6 Gb
II 2D Ex tb IIIC T85°C Db
IP65/IP67
AR16ATEX095 X

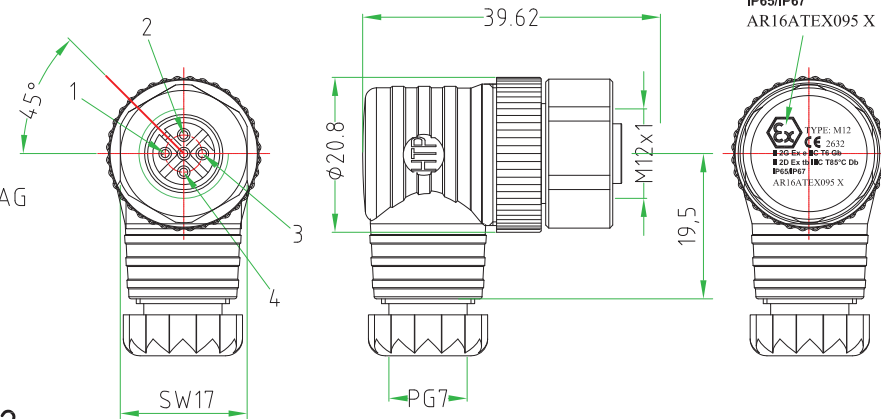
H.T.P.PRODUCTION CODE



PLASTIC BAG

REV.02

WHITE LABEL



TOLLERANZE	±0.2	DISEGNATORE LORENZO CIMMINO	DATA	19.03.15	SCALA	1:1	DISSEGNO	1/2
U.d.M	ANGOLO	CONTROLLATO						
DESCRIZIONE	M12 FEMALE ANGLED 90°, 4POLES, FIELD ATTACHABLE. CONNECTOR MAIN REFERENCE NORM ATEX2014/34/EU				TIPO	M12		MATERIALE
					H.T.P. HIGH TECH PRODUCTS		CODICE 12FB4000-ATEX	